

# IMPACT



**Model 1**  
3/4" capacity

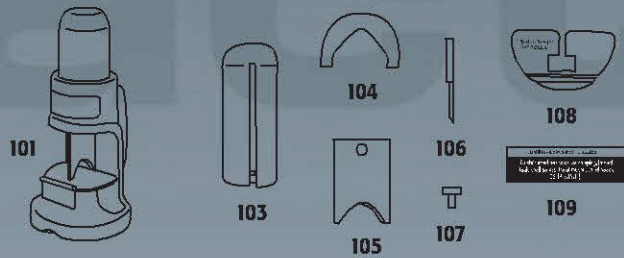


**Model 1A**  
1 1/16" capacity



**Model 2**  
1 1/2" capacity

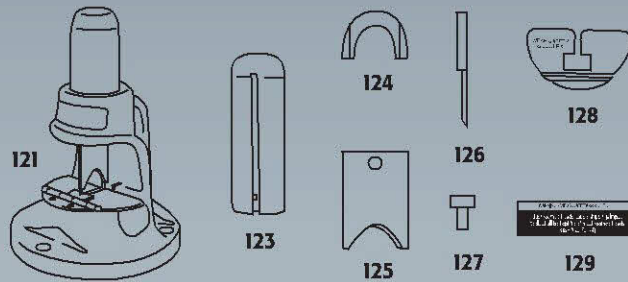
The original portable tools invented in 1928 by Morse-Starrett to cut wire rope. Actuated by striking with a hammer, they are easy to operate and will give a superior performance without jamming. They are precision-engineered to deliver a cut without affecting the original roundness of the wire rope. The blades and dies are made of the finest tool steel available, heat-treated, and ground to close tolerances.



**Model 1 (light duty):**

Part no.	Description	Packed Weight
101	Cutter complete	8 lbs.
102	Casting base	4 lbs.
103	Plunger	3 lbs.
104	Die (set)	4 oz.
105	Blade (with pin)	2 oz.

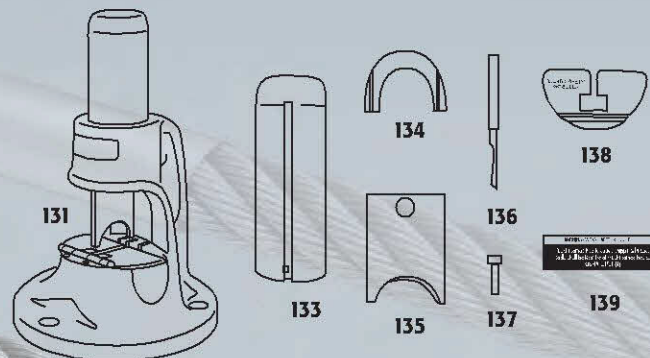
Part no.	Description	Packed Weight
106	Blade pin only	1 oz.
107	Plunger guide pin	1 oz.
108	Guard	1 oz.
109	Warning decals	



**Model 1A (heavy duty):**

Part no.	Description	Packed Weight
121	Cutter complete	17 lbs.
122	Casting base	12 lbs.
123	Plunger	4 lbs.
124	Die (set)	7 oz.
125	Blade (with pin)	2 oz.

Part no.	Description	Packed Weight
126	Blade pin only	1 oz.
127	Plunger guide pin	1 oz.
128	Guard	2 oz.
129	Warning decals	



**Model 2 (extra heavy duty):**

Part no.	Description	Packed Weight
131	Cutter complete	28 lbs.
132	Casting base	21 lbs.
133	Plunger	7 lbs.
134	Die (set)	10 oz.
135	Blade (with pin)	5 oz.

Part no.	Description	Packed Weight
136	Blade pin only	1 oz.
137	Plunger guide pin	1 oz.
138	Guard	3 oz.
139	Warning decals	

