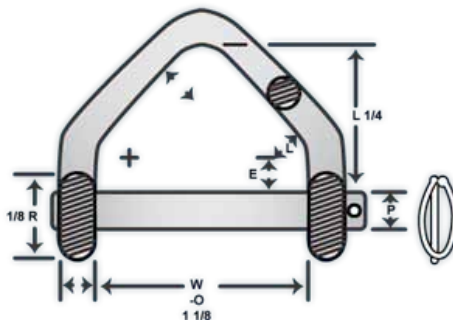
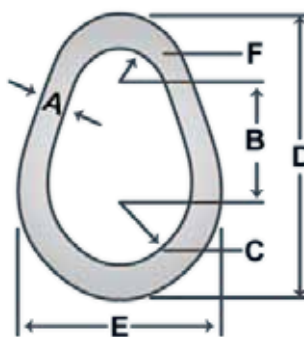


SYNTHETIC SLINGS

Synthetic Sling Fittings Steel Shackles



Steel Shackles										
Part #	Web width (")	Ult. strength in lbs.*	Working load limit	W	L	D	P	R	E	Wt. each lbs.
SS-2	2	32,200	8,050	2	2-5/8	9/16	3/4	1-5/8	1/2	1.7
SS-3	3	52,200	13,050	3	3-3/16	3/4	7/8	1-7/8	15/16	2.8
SS-4	4	43,200	10,800	4	3-7/16	3/4	7/8	1-7/8	1-1/4	3.1
SS-5	5	72,000	18,000	5	4-1/8	13/16	1	2-1/8	1-7/16	4.8
SS-6	6	72,000	18,000	6	4-7/8	15/16	1-1/8	2-1/8	3-1/4	6.8
SS-6H	6	95,400	24,000	6	5	1-1/8	1-1/5	2-5/8	3-1/4	9.8



Pear-Shaped Links							
Size Inches A	B	C	D	E	F	Weight pounds each	Rated Capacity Single Pull in lbs.
3/8	1.13	.75	3.00	2.25	.38	.13	1,800
1/2	1.50	1.00	4.00	3.00	.50	.55	2,900
5/8	1.87	1.25	5.00	3.75	.63	1.10	4,200
3/4	2.25	1.50	6.00	4.50	.75	1.95	6,000
7/8	2.63	1.75	7.00	5.25	.88	2.78	8,300
1	3.00	2.00	8.00	6.00	1.00	4.30	10,800
1-1/4	4.00	2.50	10.25	7.50	1.25	8.50	16,750
1-3/8	4.13	2.75	8.25	8.25	1.38	11.50	20,500

